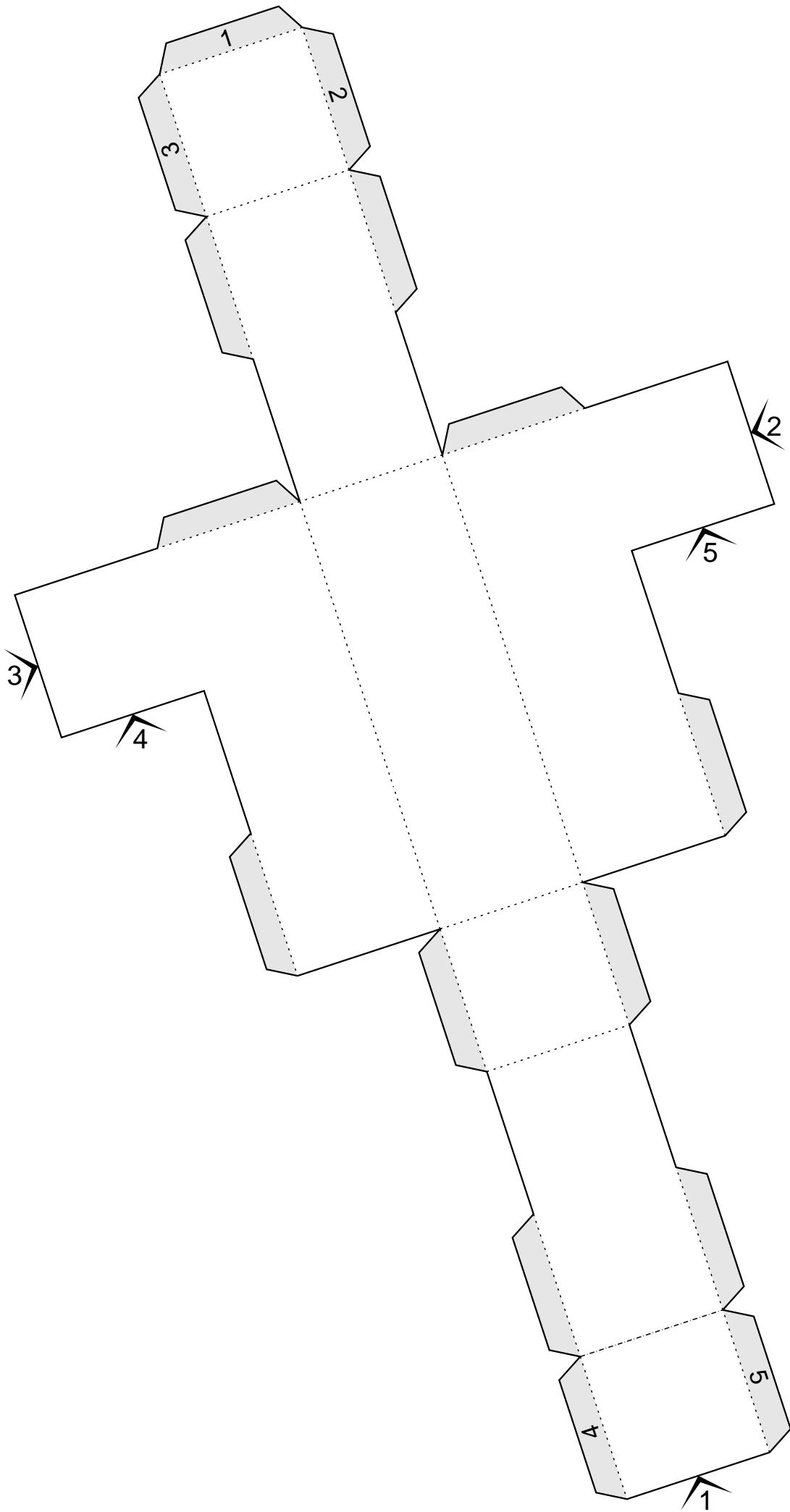
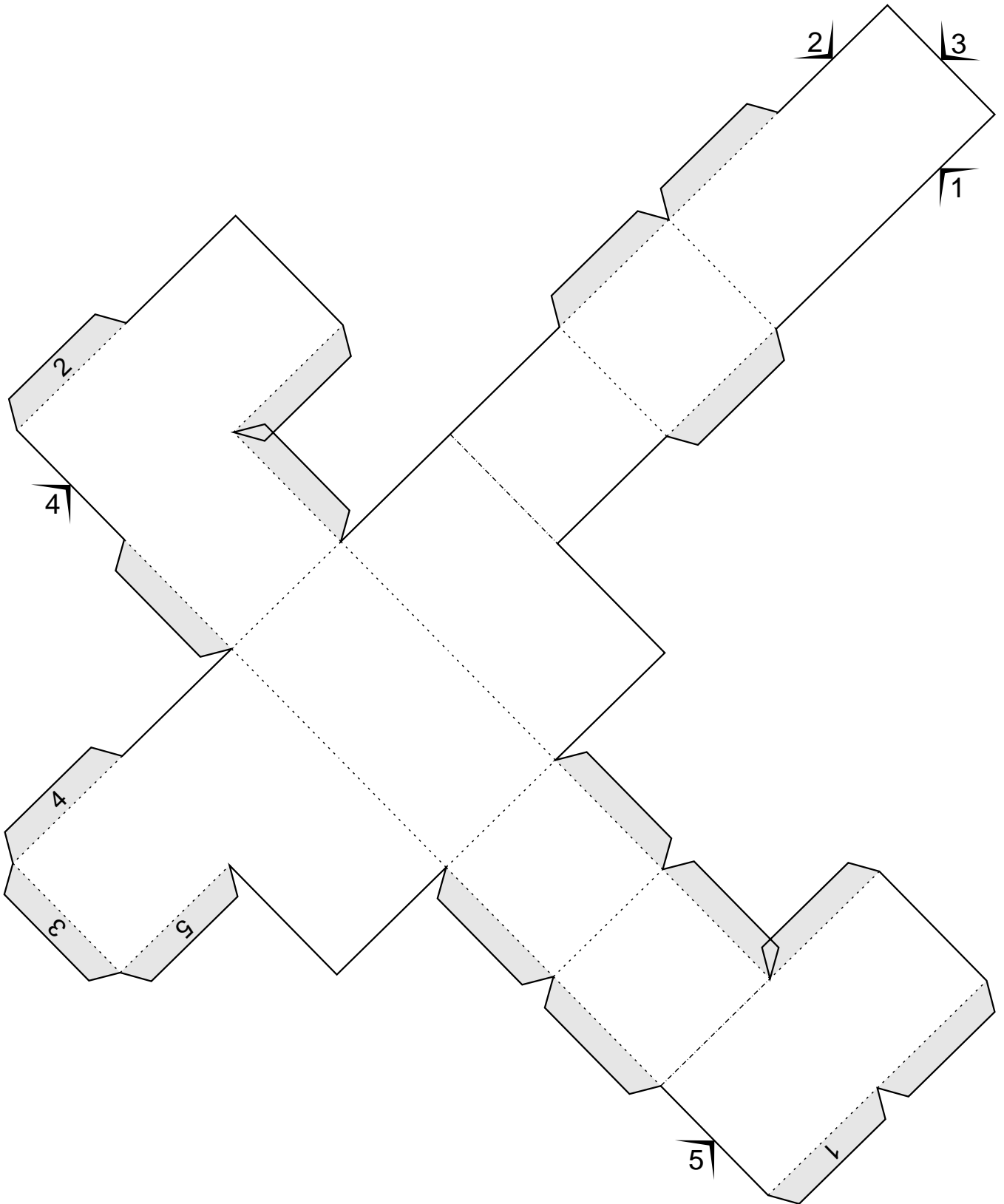


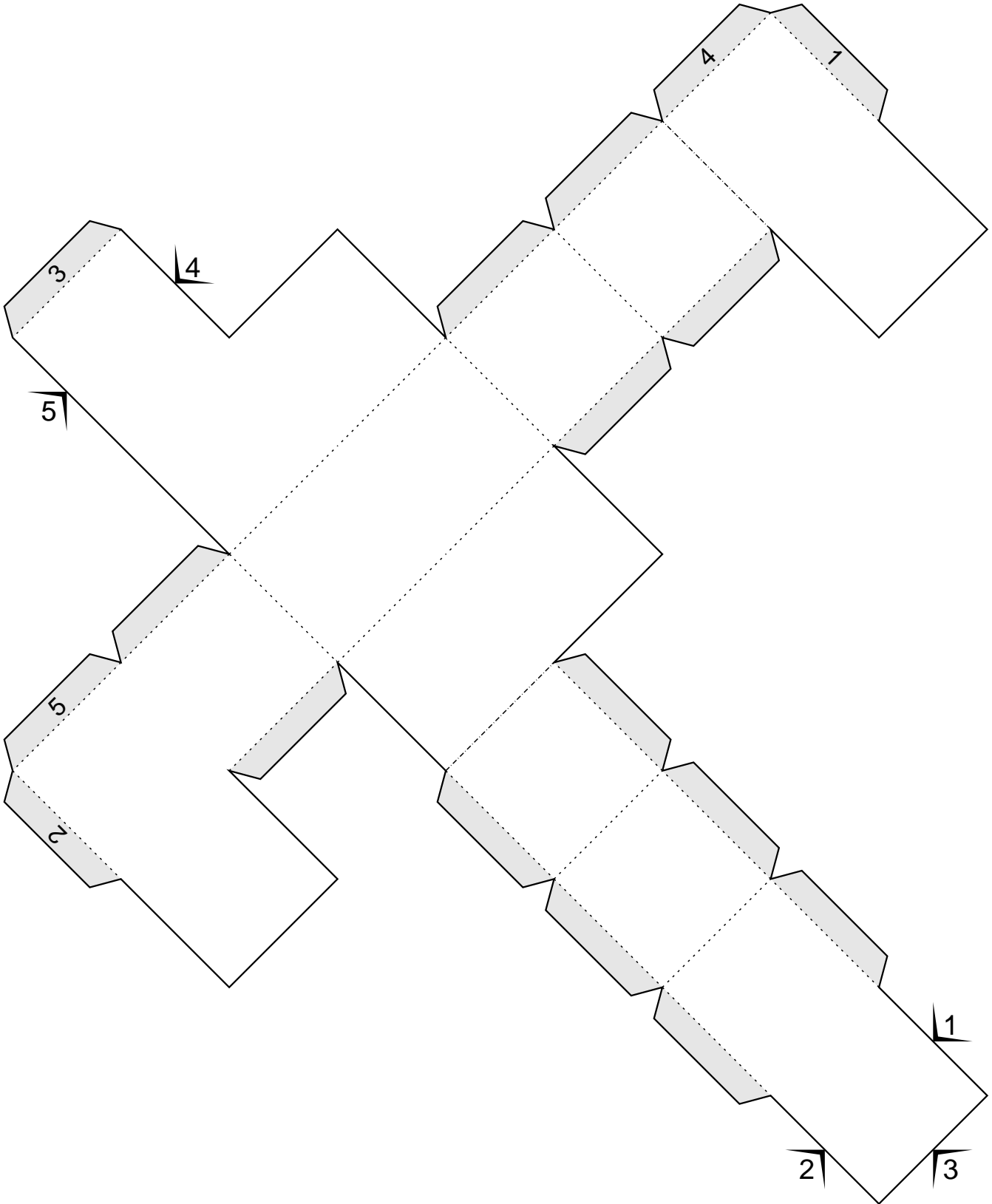
[5] Island 5



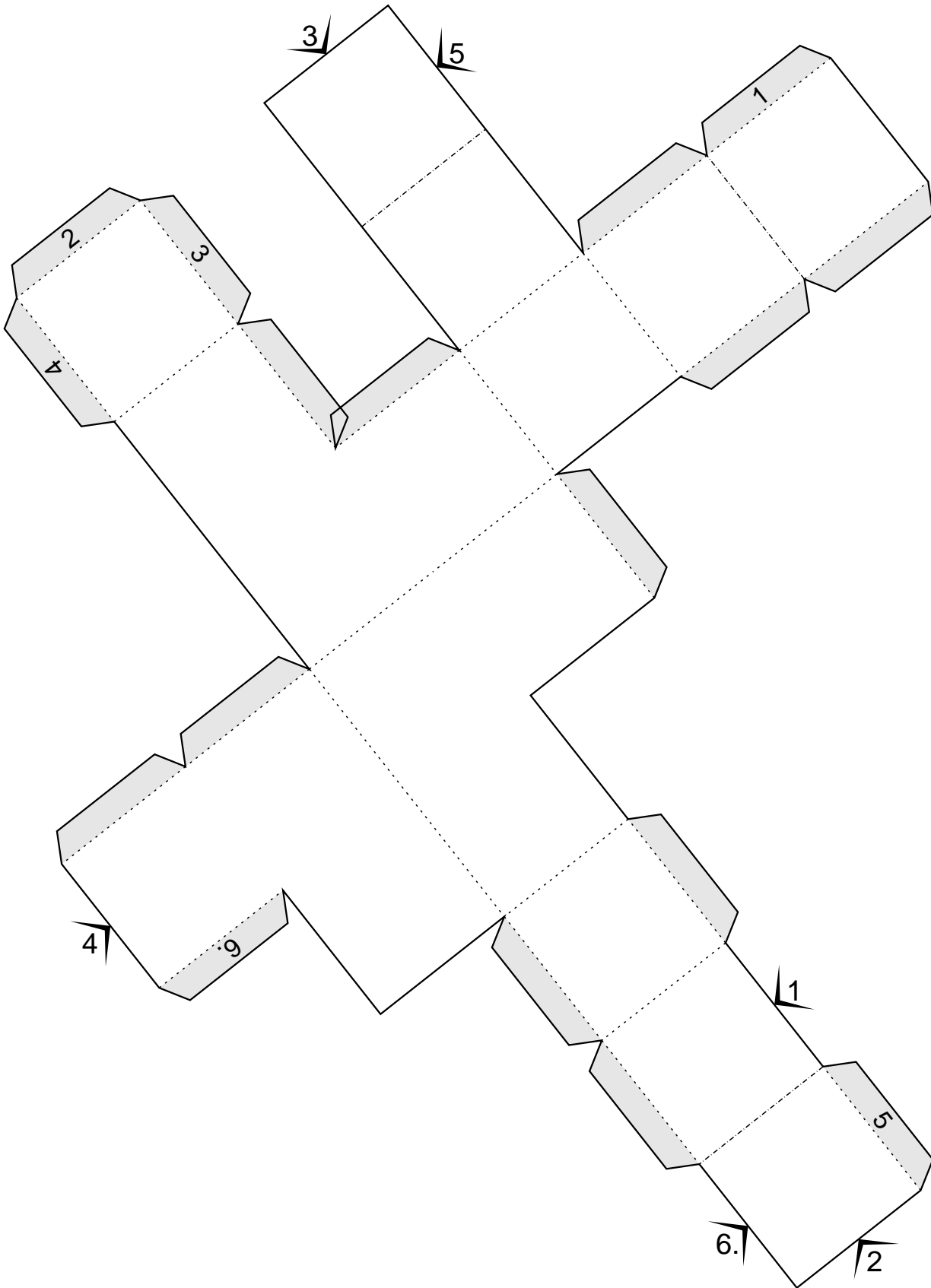
[1] Island 1



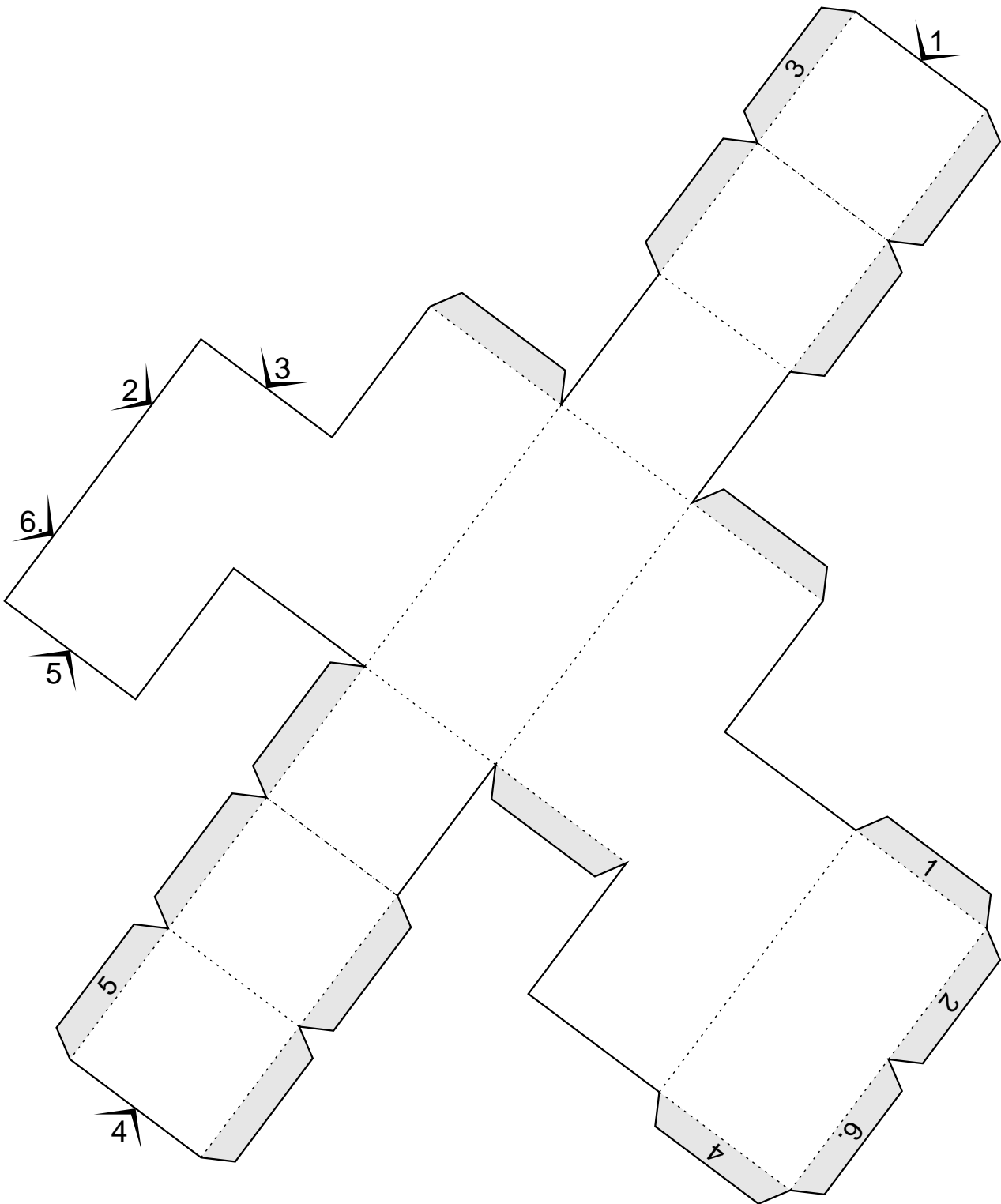
[4] Island 4



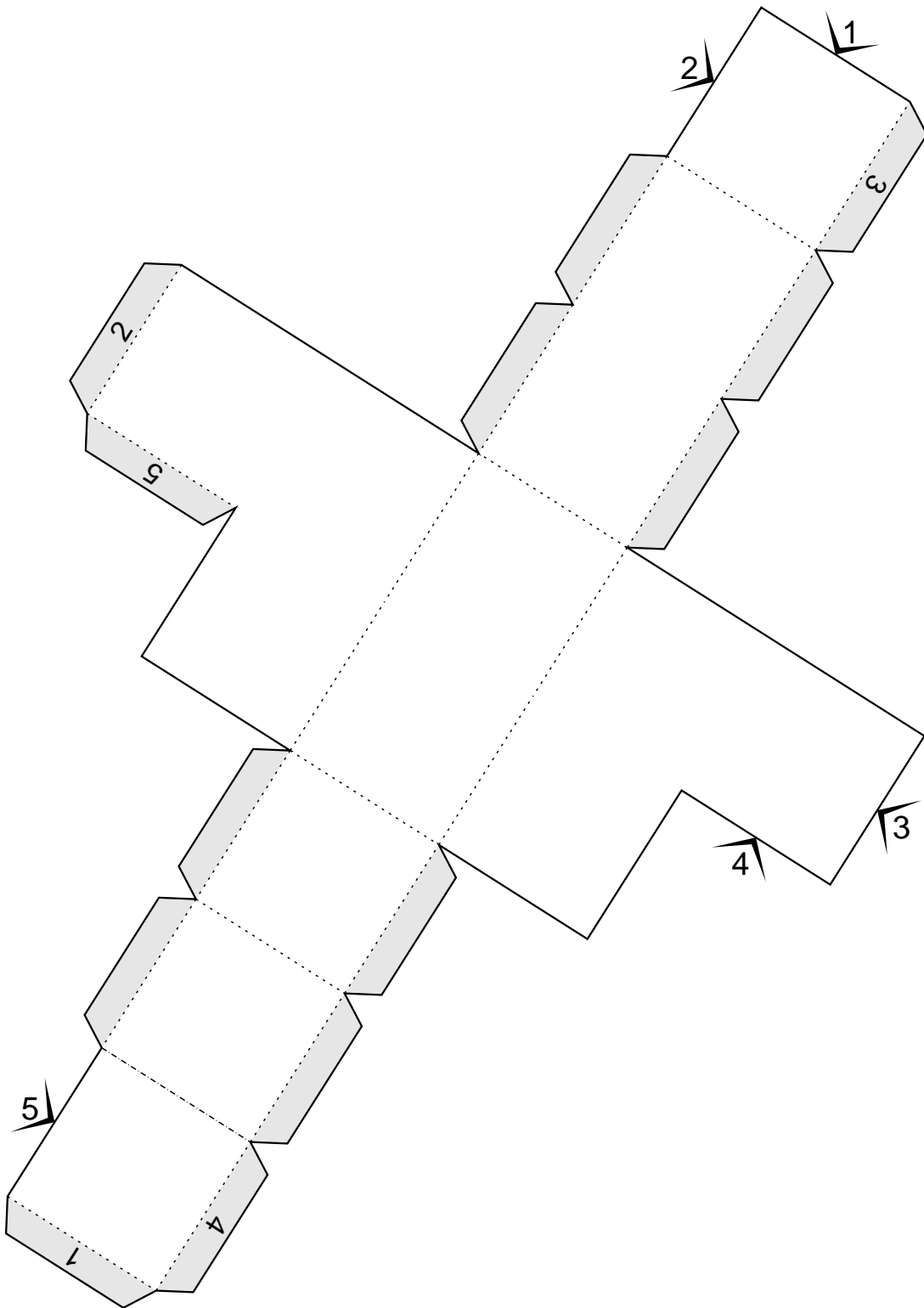
[6.] Island 6



[2] Island 2



[3] Island 3



[7] Island 7